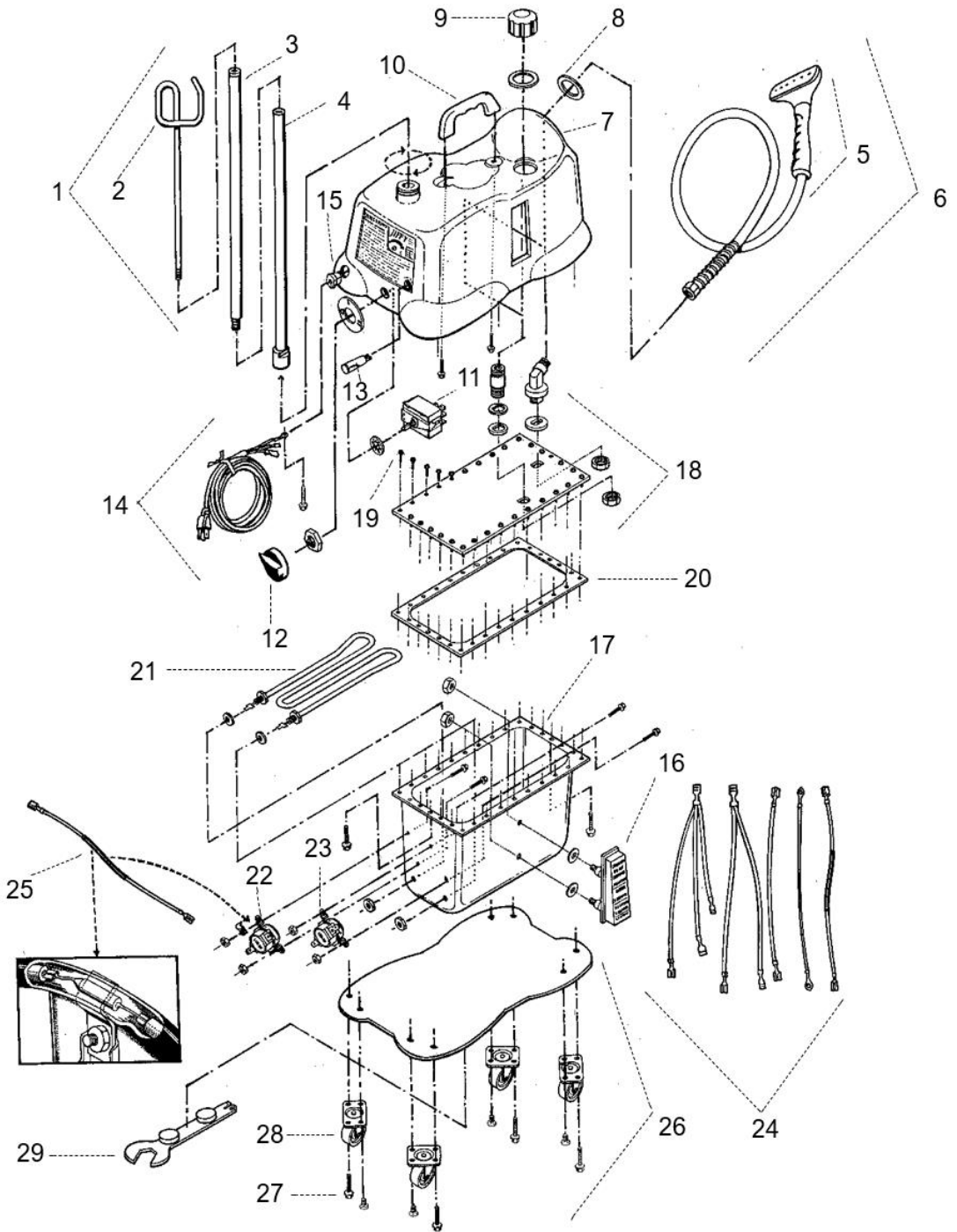


Model J-4000

Parts Diagram

* For models manufactured after March 2005



Should you ever need replacement parts for your Jiffy Steamer, you may purchase them separately. Use this handy diagram and parts list that is on the reverse side to identify any part you may need. Please include model and serial number when ordering.

Replacement Parts

Key #	Jiffy Steamer Part #	Part Description	Price inc. GST
1	1030	Rod Set & Nut for 1.67m Hose – Style B	\$ 94.29
	1034	Rod Set & Nut for 2.3m Hose – Style B	\$ 106.86
2	0035	Hook Section of Rod Set	\$ 23.26
3	0036	Middle Section of Rod Set - with barrel stud and cap screw	\$ 26.78
4	1033	Bottom Section of Rod Set with Nut – Style B	\$ 49.03
	0038	Middle Section of Rod Set with Stud for 2.3m Hoses	\$ 26.78
	0043	Metal Threaded Cap Screw for Rod Set	On request
	0039	Metal Threaded Stud for Rod Sections	On request
5	0253	Plastic Steam Head and Handle Replacement Kit	\$ 78.57
6	0251	Plastic Steam Head with 1.67m Hose	\$ 182.29
7	1301	J-4000 Die Cast Aluminium Housing	On request
	0006	Set of Two Beauty Rings (Hex)	\$ 5.66
8	0004	Beauty Ring (Round)	\$ 3.77
9	0049	Water Fill Cap	\$ 23.76
	0053	Funnel	On request
10	0054	Housing Handle with Two Screws	\$ 26.02
11	0199	Rotary Power Switch and Knob	\$ 44.00
12	0201	Replacement Knob Only for Rotary Power Switch	On request
13	1311	Red Neon Indicator Light for J-4000 (230V)	\$ 17.35
14	0144	Cord Set (230V) with Strain Relief	\$ 34.57
15	0146C	Cord Strain Relief	On request
16	0050	Water Level Sight Gauge with Nuts and Washers	\$ 119.43
17	1374	Stainless Steel Boiler Tank with Sight Gauge (J-4000)	On request
18	1370	Stainless Steel Boiler Tank Lid with Fittings & Rings	\$ 100.57
19	0071	Boiler Tank Screw Set (Set of 30)	On request
	0062	Boiler Tank Silicone Sealer (300ml)	On request
20	0075	Boiler Tank Gasket	\$ 31.43
21	0064	"W" Bend Heat Element w/Washers & Nuts (230V,1500W)	\$ 100.57
22	0203	Preheat Thermostat (L-170)	\$ 31.43
23	0204	Steam Thermostat (L-220)	\$ 31.43
24	0155	Internal Wire Set (Set of 5 Wires) for "W" Bend Element	On request
25	0158	Fusible Link Wire with Clamp and Lug	\$ 11.19
26	1320	Bottom Plate with Four Casters	On request
27	0017	Bottom Plate Screws (Set of 4)	On request
28	0018	Bottom Plate Casters (Set of 4)	On request

Before attempting any repair on a Jiffy Steamer product, make sure that it is **unplugged from the outlet**.

Accessories

Key #	Jiffy Steamer Part #	Part Description	Price inc. GST
	0899	Jiffy Steamer Liquid Cleaner – Pack of two 250ml Bottles	\$ 29.95
	0252	Plastic Steam Head with 2.28m Hose	\$ 204.29
	0254	Metal Steam Head with 1.67m Hose	\$ 254.57
	0255	Metal Steam Head with 2.28m Hose	\$ 276.57
	1026	Multi Purpose Steam Head Kit with 4 Attachments - 1.67m Hose	\$ 330.00
	1027	Multi Purpose Steam Head Kit with 4 Attachments – 2.28m Hose	\$ 352.00
	0259	2.3m Auto Upholstery Hose with Dual Metal Heads	\$ 298.57
	0257	Carpet Hose Attachment with 1.67m Hose (30cm Wide Metal Head)	\$ 273.43
	0262	1.67m Hose with 9" Curved Pipe Head	\$ 213.71
	0274	Brass Hat Nozzle Attachment	\$ 47.14
	1062	1.67m Hose with Steam Cleaning B Brush Attachment	\$ 220.00
	1063	Brush Only for the "B" Hose Attachment	\$ 31.43
	0256	Metal Head & Wood Handle Only	\$ 137.03
	0269	Wooden Handle with Stainless Steel Screw (for Metal heads)	\$ 26.02

Before attempting any repair on a Jiffy Steamer product, make sure that it is **unplugged from the outlet**.



Jiffy Steamers Australia Pty Ltd

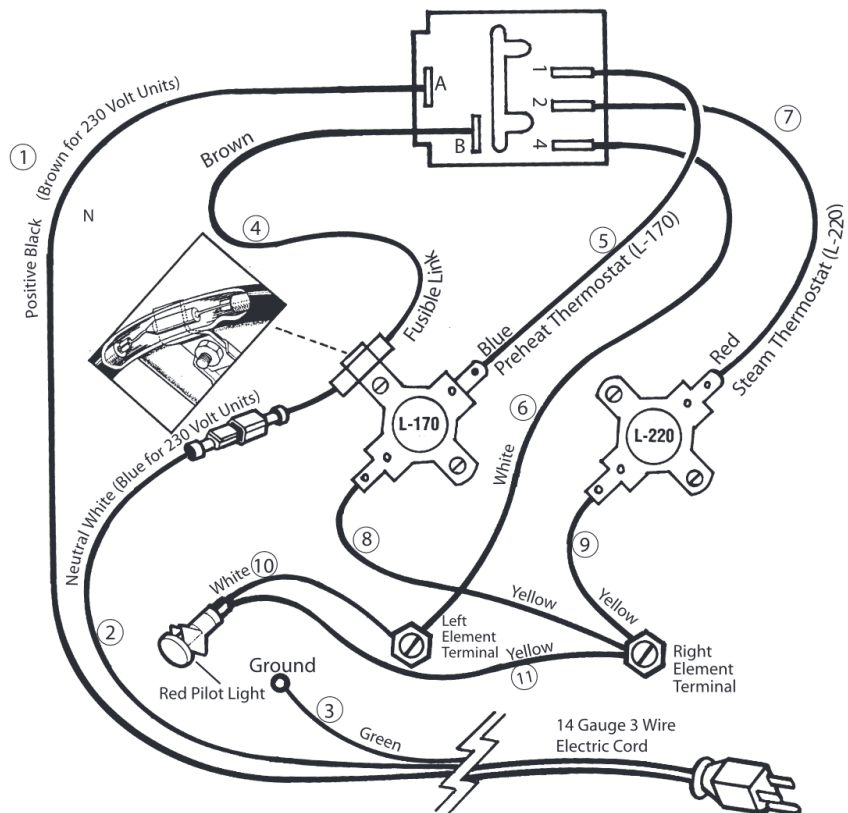
www.jiffysteamers.com.au | Email: jsinfo@jiffysteamers.com.au | Tel: 1300 511677

Model J-4000 Wiring Diagram

Before attempting any repair on a Jiffy Steamer product, make sure that it is **unplugged from the outlet**.

NOTE: The switch terminal number and the switch terminal letters are marked on the actual switch.

1. Positive black (1) (brown for 230 volt units) to A on switch.
2. Neutral white to (2) brown fuse wire (4) (blue for 230 volt units).
3. Green ground wire (3) to grounding mount on housing.
4. Brown fuse (4) wire to B on switch.
5. Blue wire (5) from top of standby thermostat (L170) to #1 on switch.
6. White wire (6) from left side of element to #4 on switch.
7. Red wire (7) from top of steam thermostat (L-220) to #2 on switch.
8. Long yellow wire (8) from bottom of standby thermostat to right side of element.
9. Short yellow wire (9) from right side of element to bottom of steam (L-220) thermostat.
10. White wire (10) from light to left side of element.
11. Medium length yellow wire (11) from light to right side of element.



Jiffy Steamers Australia Pty Ltd

www.jiffysteamers.com.au | Email: jsinfo@jiffysteamers.com.au | Tel: 1300 511677